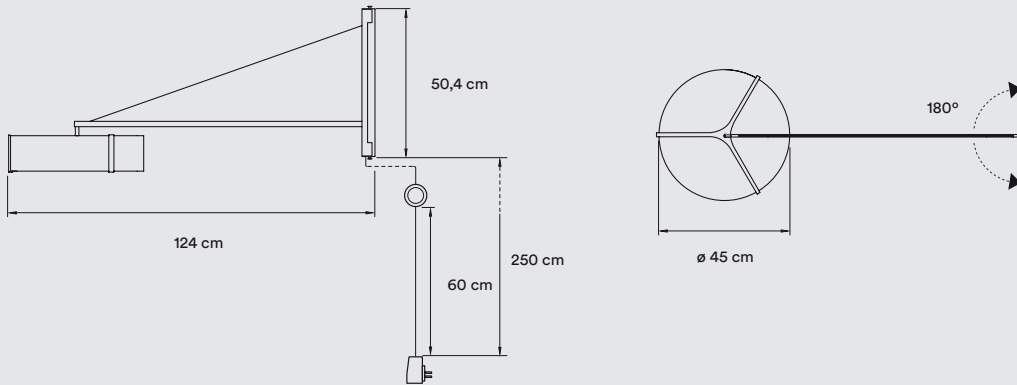


SWING MECHANISM



REF.

- THES A BK LED DIM
- THES A IV LED DIM
- THES A BN LED DIM
- THES A GD LED DIM
- THES A CO LED DIM

LIGHT SOURCE

Class II

230V Dimmable

Driver:

Constant Voltage 24V

LED Integrated:

Led module
Energy class A⁺

3.000K, CRI>90, 25W, 50-60Hz, 1084 lm*
Available in 2.700K and 4.000K on request

*Measurements obtained by theoretical calculations at LZf using ivory white shades. Veneer Ref: 20 Ivory White.

PACKAGING

Box Size: 119 × 67 × 22 cm

Box Volume: 0,18 m³

Weight: Gross - 9,6 Kg | Net - 2,8 Kg

MATERIALS & COMPONENTS

Wood Veneer Shade

Optional Acrylic Diffuser

Metal Tripod & Structure

Black Electrical cable with Dimming Switch: 250 cm

FINISHES

WOOD VENEER

- 20 Ivory White
- 22 Natural Beech
- 21 Natural Cherry
- 29 Grey

METAL

- IV-Matt Ivory
- *BN-Black Nickel
- BK-Matt Black
- *GD-Gold
- *CO-Cooper

*On Request